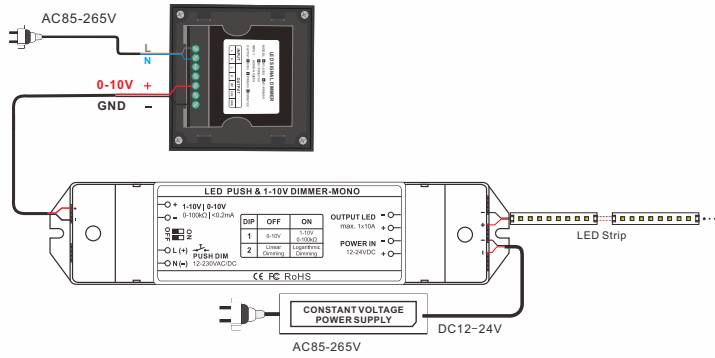


2. Diagram of 0-10V signal dimmer and 0-10V dimming driver:



※ For the dimmer driver or dimming power which can be completely turned off via dimming signal, can connect only the dimming signal of dimmer, without using other voltage output.

8. After- Sales

From the day you purchase our products within 3 years, if being used properly in accordance with the instruction, and quality problems occur, we provide free repair or replacement services except the following cases:

1. Any defects caused by wrong operations.
2. Any damages caused by inappropriate power supply or abnormal voltage.
3. Any damages caused by unauthorized removal, maintenance, modifying circuit, incorrect connections and replacing chips.
4. Any damages due to transportation, breaking, flooded water after the purchase.
5. Any damages caused by earthquake, fire, flood, lightning strike etc. force majeure of natural disasters.
6. Any damages caused by negligence, inappropriate storing at high temperature and humidity environment or near harmful chemicals.

LED Signal Dimmer User Manual



(Please read through this manual carefully before use)

1. Brief Introduction

This LED signal dimmer is AC85-265V input, and outputs AC85-265V, 0-10V analog signals, PWM 5V or PWM 10V signal. With our T1 wireless remote to control led lamps by radio frequency, and adjust the signals, easy to install, it's suitable for commercial or household standard 86 type socket base.

2. Specifications

Model	K1- 010V	K1- PWM5V	K1- PWM10V
Input Voltage	AC85-265V		
Output Voltage	AC85-265V		
Max Output Current	10A		
Output Signal	0-10V Analog Signalx2CH	PWM5V Signalx2CH	PWM10V Signalx2CH
Max output signal current	60mA	60mA	60mA
Working Temp	-20°C-55°C		
Dimension	L86xW86xH51(mm)		
Weight(G.W)	130g		

Model	T1 Wireless Remote Control
Working Voltage	3V(CR2032)
Working Frequency	433.92MHZ
Remote Distance	40M-50M
Working Temp	-20°C-55°C
Dimensions	L106xW56xH9(mm)
Weight(G.W)	40g

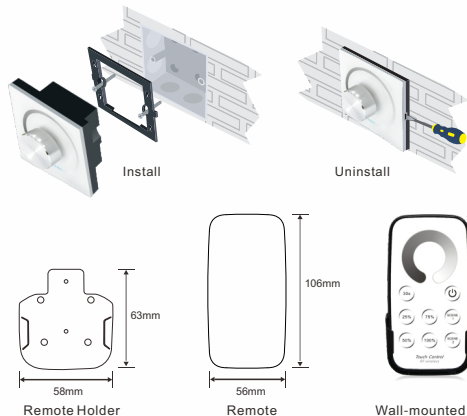
3. Basic Features

1. Automatically adapt to AC85-265V working voltage.
2. High voltage input, isolation power supply, can be used with dimming power.
3. Standard 86-style socket, easy to install.
4. Rotary knob adjustment, fashion design, simple to use.
5. 2CH output, 100 brightness level.
6. Power loss memory function.

4. Safety warnings

1. In order to use it properly and safety, please read user's manual carefully before installation.
  2. Please don't install this controller in lightening, intense magnetic and high-voltage fields.
  3. To reduce the risk of component damage and fire caused by short circuit, make sure correct connection
  4. Always be sure to mount this unit in an area that will allow proper ventilation to ensure a fitting temperature.
  5. Don't connect cables with power on; make sure a correct connection and no short circuit checked with instrument before power on.
  6. Please don't open controller cover and operate if problems occur.
- The manual is only suitable for this model; any update is subject to change without prior notice.

5. Instructions



6. Operating instructions

The Learning ID Method of Remote Control:

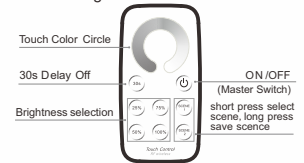
Remote control has been matched to the dimmer before delivery, if deleted accidentally, you can learn ID as follow.  
Learning ID: In the state of power off, long press rotary for 3 seconds, when the digital tube displays 'FF', then press any key on the remote control. The digital tube flashes 3 times, and the controller is ON, the remote and is controller is matched.

Note:  
The controller is inactive if no settings are made to it after 1 minute, press any key to turn it on before normal operation.

K1-010V: Dim Panel



T1: Dimming



- ※ Short press: turn on/off LED controller
- ※ Adjust rotary: increase or decrease brightness, range from 1~100.

Notice:

1. The digital tube is inactive if no settings are made after 1 minute, does not affect the output effect. re-operate the rotary to turn it on.
2. Restore factory defaults: In the state of power off, long press the rotary and power on, after 0.5 second, release the rotary, the dimmer is on. after restoring factory defaults, the dimmer and the remote need to rematch the ID.

7. Wiring instructions

1. Diagram of 0-10V signal dimmer and dimmable driver:

